

4

3

2

1

THIS DRAWING IS UNPUBLISHED. RELEASED FOR PUBLICATION 20  
 © COPYRIGHT 20 BY - ALL RIGHTS RESERVED.

REVISIONS				
P	LTR	DESCRIPTION	DATE	APVD
A		RELEASED ECO-14-002997	24MAR2014	LAW SB

2149448-1  
SCALE 5:1

1 MATERIALS:  
 HOUSING - ZINC ALLOY  
 COVER, HOUSING - STAINLESS STEEL.  
 EMI GASKET - CONDUCTIVE URETHANE FOAM  
 RECEPTACLE HOUSING - LCP, BLACK, UL 94V-0 RATED  
 CHICKLET - LCP, BLACK, UL 94V-0 RATED  
 CONTACT - PHOSPHOR BRONZE  
 EMI SPRING - COPPER ALLOY

2 FINISH:  
 CONTACT - CONFORMS TO THE REQUIREMENTS OF TE  
 PRODUCT SPECIFICATION 108-2426, BASED ON EIA/ECA-364-1000.01A,  
 (CONTROLLED ENVIRONMENT APPLICATIONS) ON MATING INTERFACE,  
 MATTE TIN OVER NICKEL UNDERPLATE ON COMPLIANT PIN  
 HOUSING & HEAT SINK - NICKEL PLATE

3 NOTE DELETED

4 PCB THICKNESS = 1.57 MIN

5 FOR HOLE SIZE AND FINISHES, SEE APPLICATION SPEC 114-13283

6 THE ENTIRE AREA OF THE CONNECTOR FOOTPRINT, INDICATED  
 BY CROSSHATCHING, TO BE CONSIDERED THE KEEPOUT AREA FOR  
 COMPONENTS AND SIGNAL TRACES, TOP SIDE ONLY, TOP SIDE  
 TRACES ALLOWED WITHIN CONNECTOR HOLE PATTERN, CROSSHATCHING  
 TO BE CONDUCTIVE

7. MOUNTING HARDWARE REQUIRED:  
 M2X0.4 (4) - MOUNTING SCREW LENGTH = BOARD THICKNESS + 4mm MAX

**OBSOLETE**

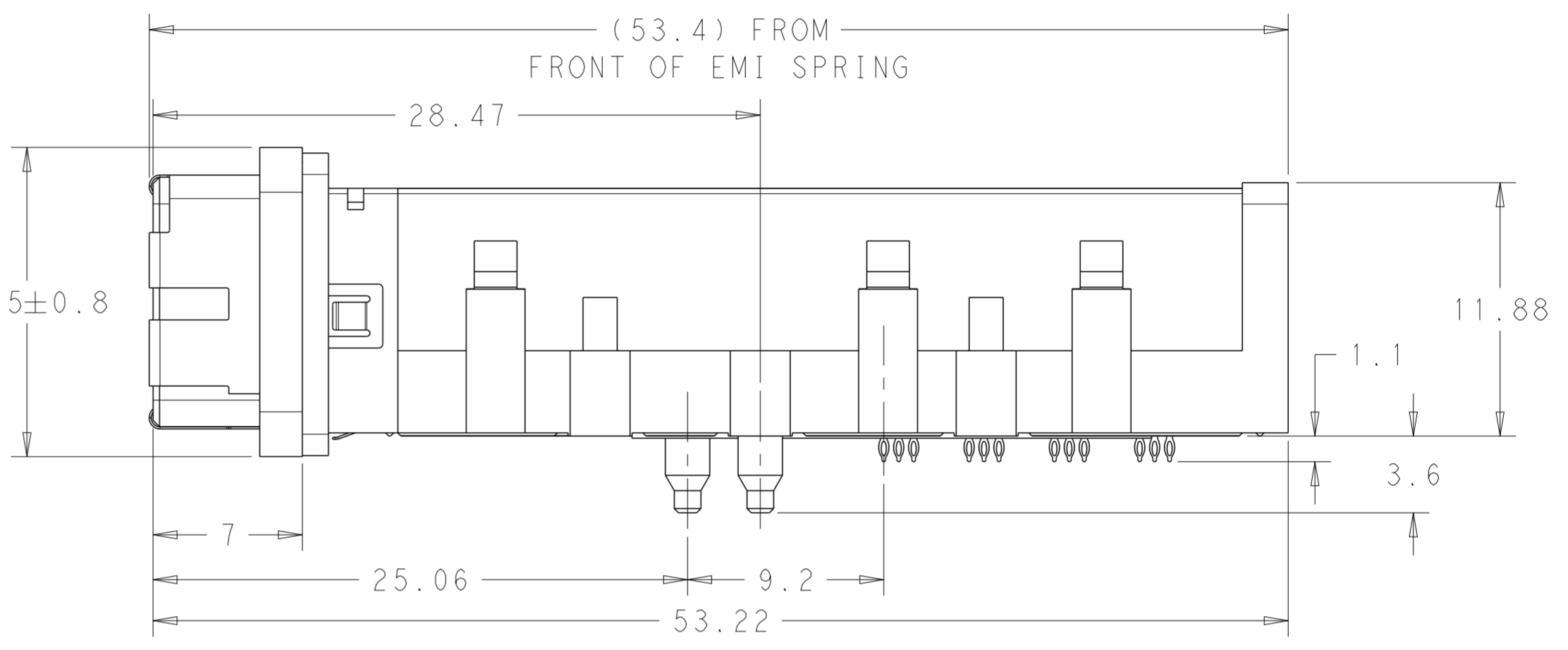
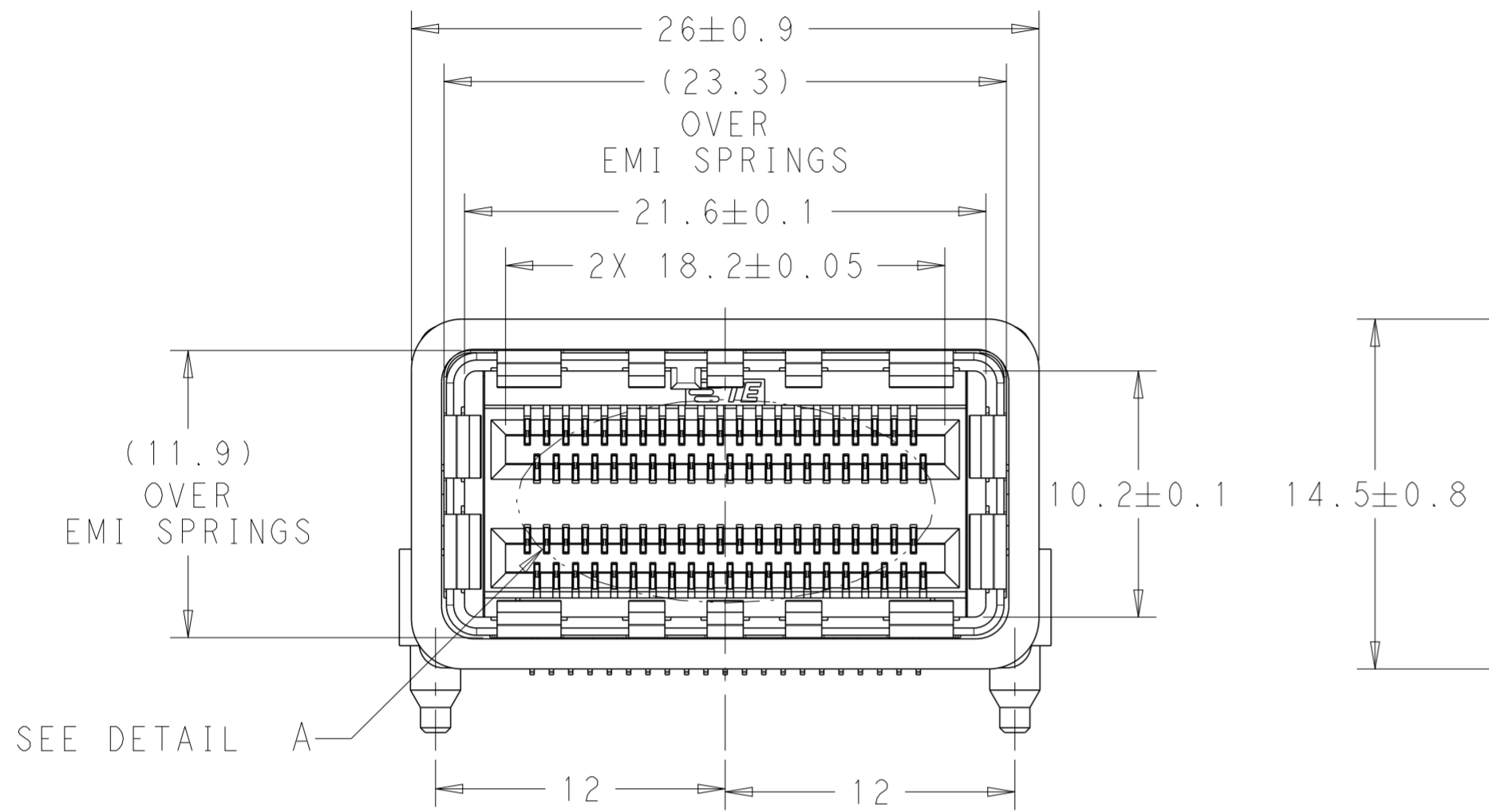
3	84 POSITION RECEPTACLE HOUSING SUB-ASSEMBLY	2149448-2
2	84 POSITION RECEPTACLE HOUSING SUB-ASSEMBLY	2149448-1
FINISH	DESCRIPTION	PART NUMBER

THIS DRAWING IS A CONTROLLED DOCUMENT. DIMENSIONING AND TOLERANCING PER ASME Y14.5M-2009		DWN M. E. COWHER 03AUG2010	TE Connectivity	
DIMENSIONS: mm		CHK M. D. MORRISON 03AUG2010		
TOLERANCES UNLESS OTHERWISE SPECIFIED:		APVD M. D. MORRISON 03AUG2010	NAME RECEPTACLE HOUSING SUB-ASSEMBLY 84 POSITION, CXP	
0 PLC ±0.15	1 PLC ±0.15	PRODUCT SPEC 108-2426	SIZE A2	CAGE CODE 00779
2 PLC ±0.15	3 PLC ±	APPLICATION SPEC 114-13283	DRAWING NO C-2149448	RESTRICTED TO -
4 PLC ±	ANGLES ±0.5	WEIGHT -	SCALE 2:1	SHEET 1 OF 3
FINISH 1	2	Customer Drawing	REV A	

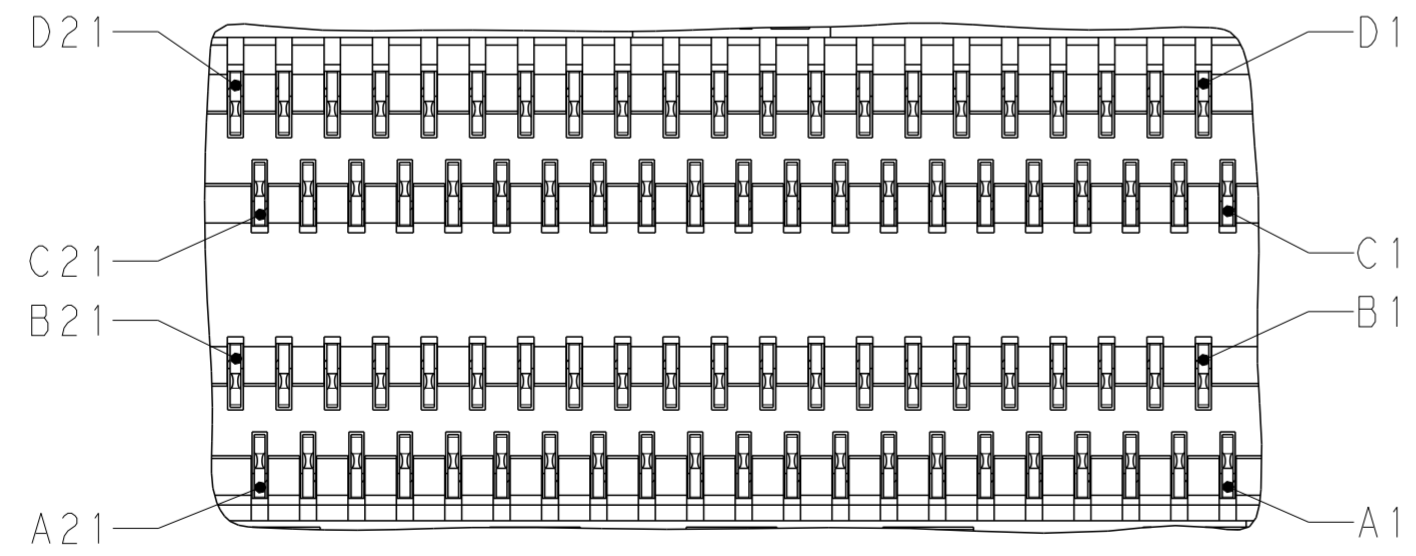
1471-9 (3/13)

THIS DRAWING IS UNPUBLISHED. RELEASED FOR PUBLICATION 20  
 © COPYRIGHT 20 BY - ALL RIGHTS RESERVED.

REVISIONS				
P	LTR	DESCRIPTION	DATE	APVD
-	-	SEE SHEET 1	-	-



2149448-1  
 SCALE 4:1



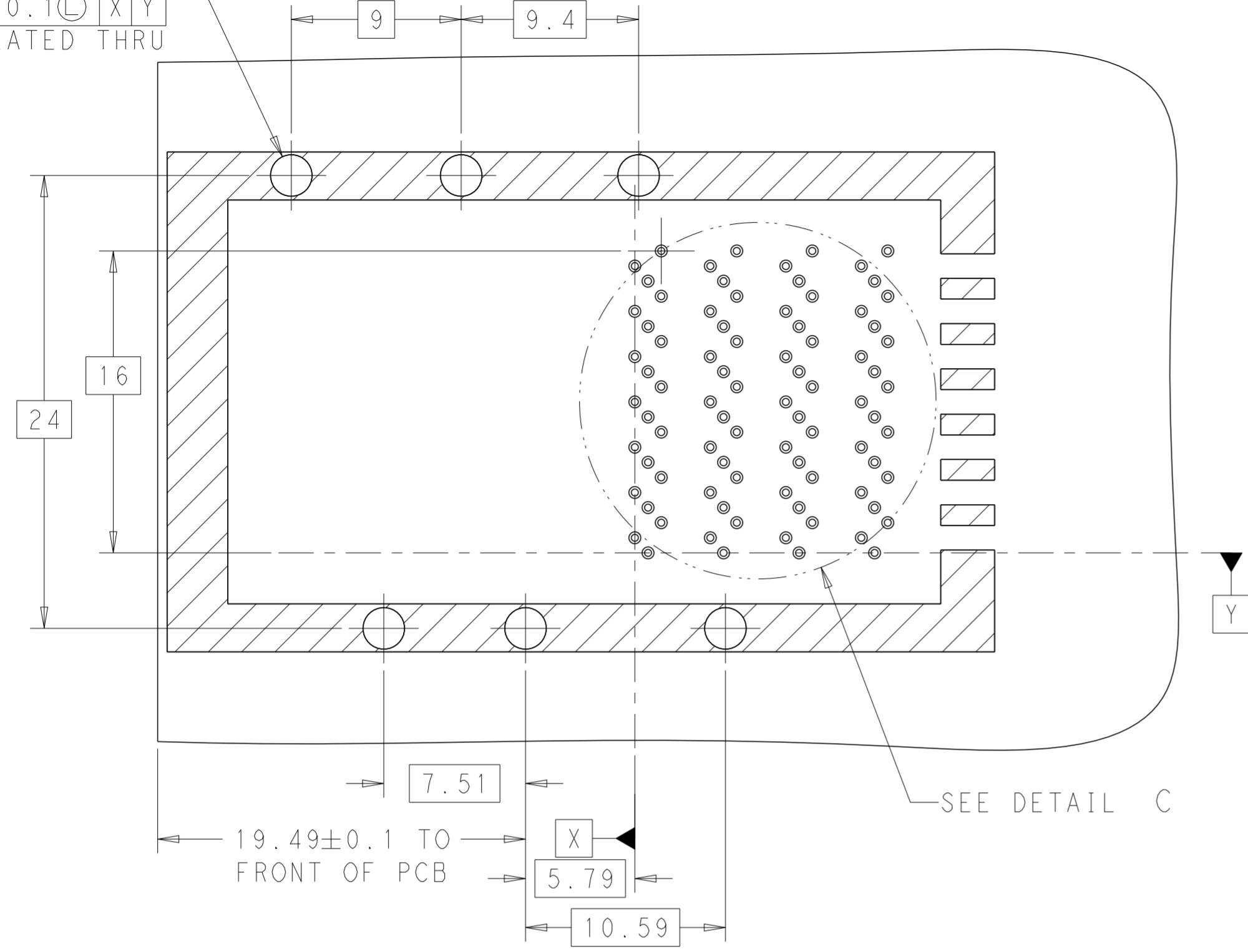
DETAIL A  
 RECOMMENDED PIN CALLOUT  
 SCALE 8:1

THIS DRAWING IS A CONTROLLED DOCUMENT. DIMENSIONING AND TOLERANCING PER ASME Y14.5M-2009		DWN M. E. COWHER 03AUG2010	TE Connectivity	
DIMENSIONS: mm		CHK M. D. MORRISON 03AUG2010		
TOLERANCES UNLESS OTHERWISE SPECIFIED:		APVD M. D. MORRISON 03AUG2010	NAME RECEPTACLE HOUSING SUB-ASSEMBLY 84 POSITION, CXP	
0 PLC ±0.15 1 PLC ±0.15 2 PLC ±0.15 3 PLC ± 4 PLC ± ANGLES ±0.5 FINISH -		PRODUCT SPEC 108-2426	SIZE A200779	CAGE CODE C-2149448
MATERIAL -		APPLICATION SPEC 114-13283	DRAWING NO C-2149448	RESTRICTED TO -
-		WEIGHT -	SCALE 2:1	SHEET 2 OF 3
-		Customer Drawing	REV A	

THIS DRAWING IS UNPUBLISHED. RELEASED FOR PUBLICATION 20  
 © COPYRIGHT 20 BY - ALL RIGHTS RESERVED.

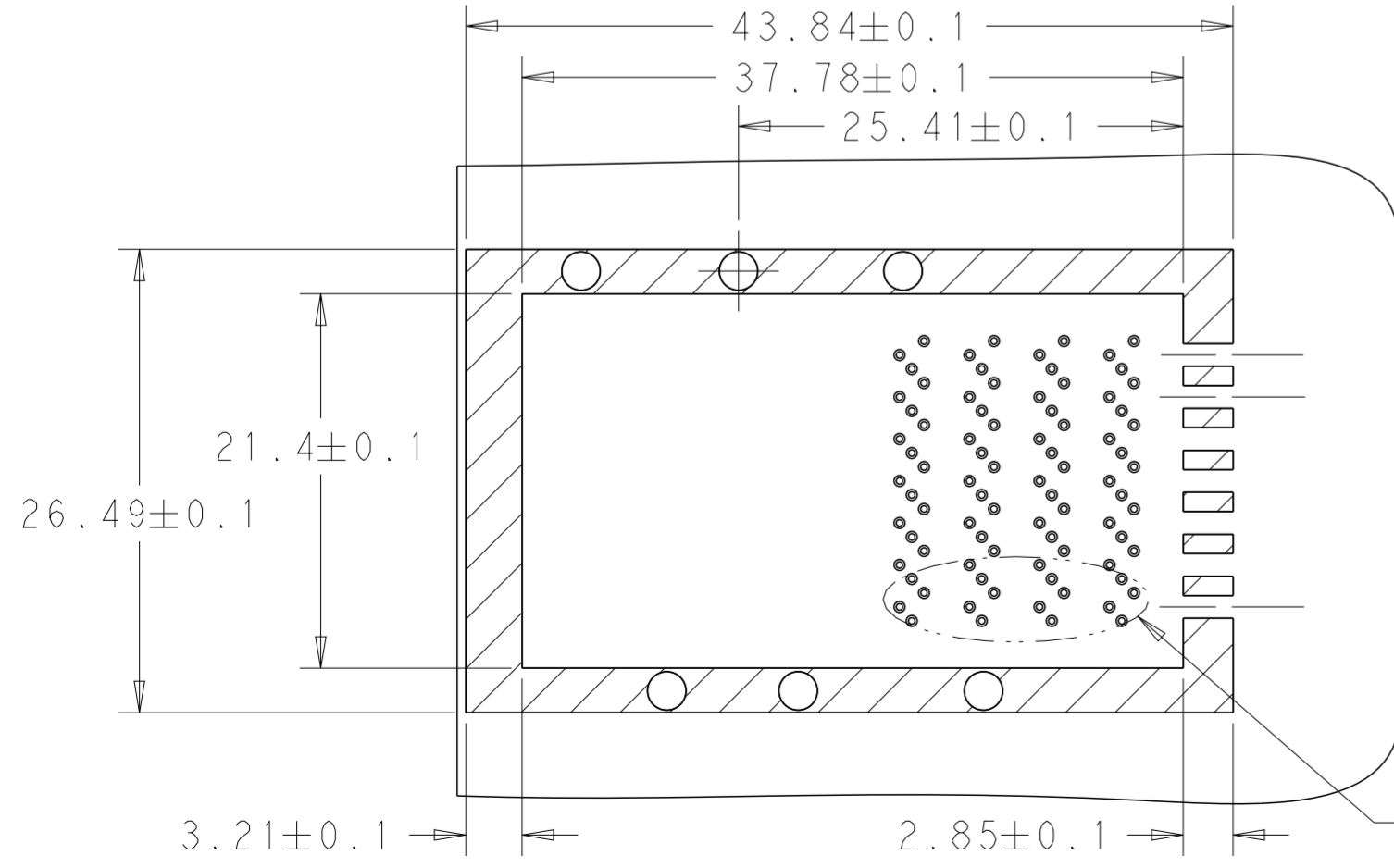
REVISIONS				
P	LTR	DESCRIPTION	DATE	APVD
-	-	SEE SHEET 1	-	-

6X  $\varnothing 2.2 \pm 0.05$   
 $\oplus \varnothing 0.1 \ominus \text{X Y}$   
 PLATED THRU



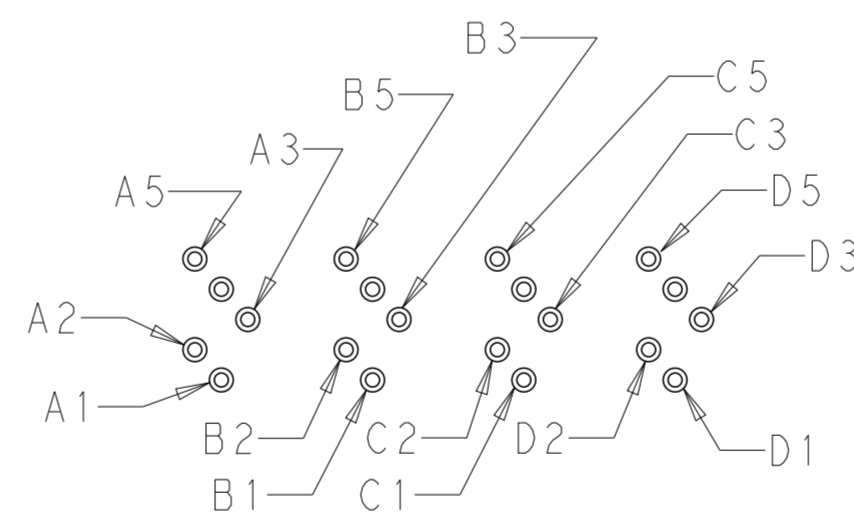
SEE DETAIL C

RECOMMENDED PCB LAYOUT COMPONENT SIDE SHOWN SCALE 4:1



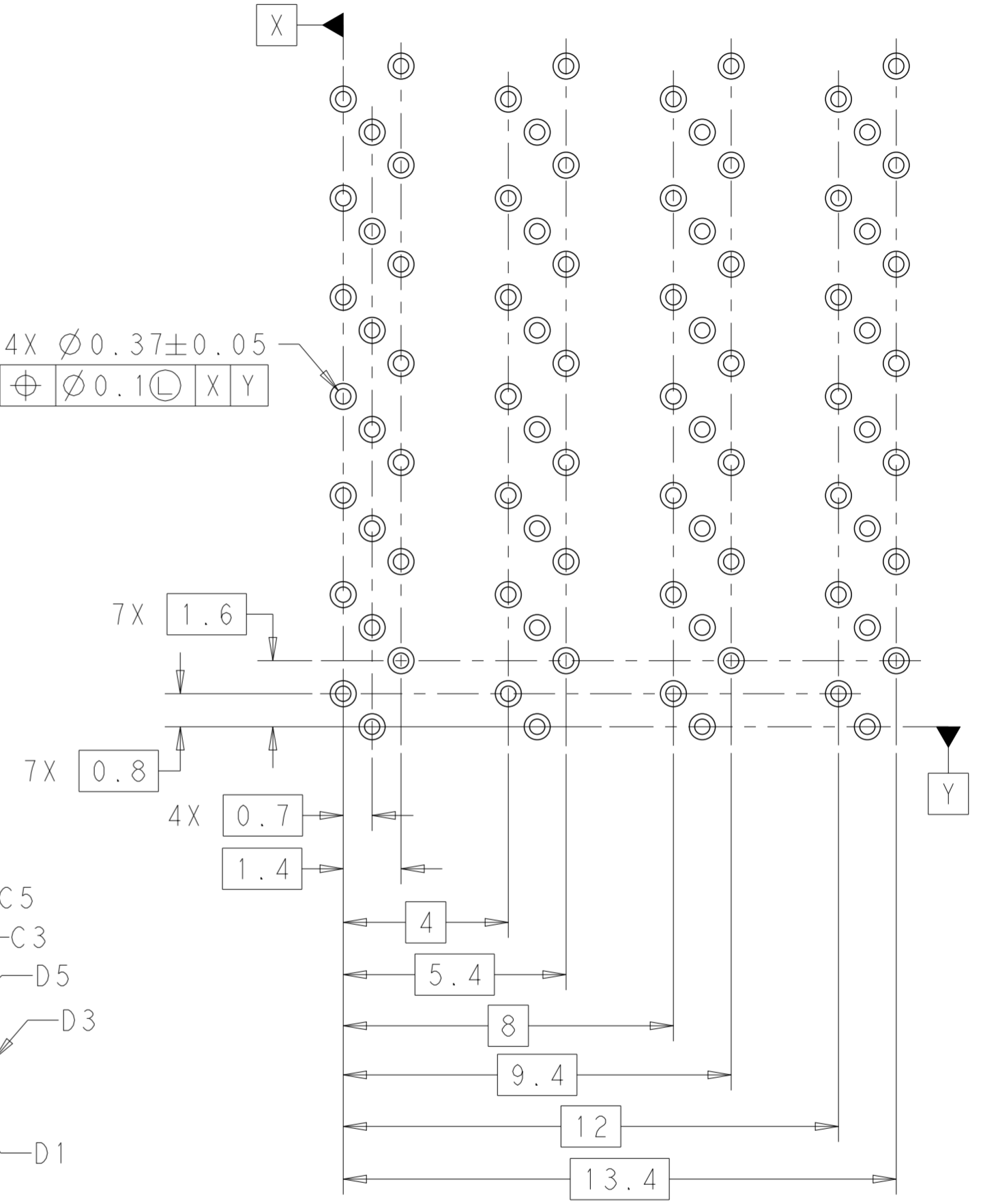
RECOMMENDED KEEPOUT AREA SCALE 5:2

SEE DETAIL D



DETAIL D PIN CALLOUT (TYPICAL) SCALE 5:1

84X  $\varnothing 0.37 \pm 0.05$   
 $\oplus \varnothing 0.1 \ominus \text{X Y}$



DETAIL C RECOMMENDED CONNECTOR LAYOUT SCALE 8:1

THIS DRAWING IS A CONTROLLED DOCUMENT. DIMENSIONING AND TOLERANCING PER ASME Y14.5M-2009		DWN M.E. COWHER 03AUG2010 CHK M.D. MORRISON 03AUG2010 APVD M.D. MORRISON 03AUG2010	TE Connectivity	
DIMENSIONS: mm	TOLERANCES UNLESS OTHERWISE SPECIFIED:	PRODUCT SPEC 108-2426	NAME RECEPTACLE HOUSING SUB-ASSEMBLY 84 POSITION, CXP	
0 PLC ±0.15 1 PLC ±0.15 2 PLC ±0.15 3 PLC ± 4 PLC ±	ANGLES ±0.5 FINISH -	APPLICATION SPEC 114-13283	SIZE A2	CAGE CODE 00779
MATERIAL -	-	WEIGHT -	DRAWING NO C-2149448	RESTRICTED TO -
Customer Drawing			SCALE 2:1	SHEET 3 OF 3 REV A